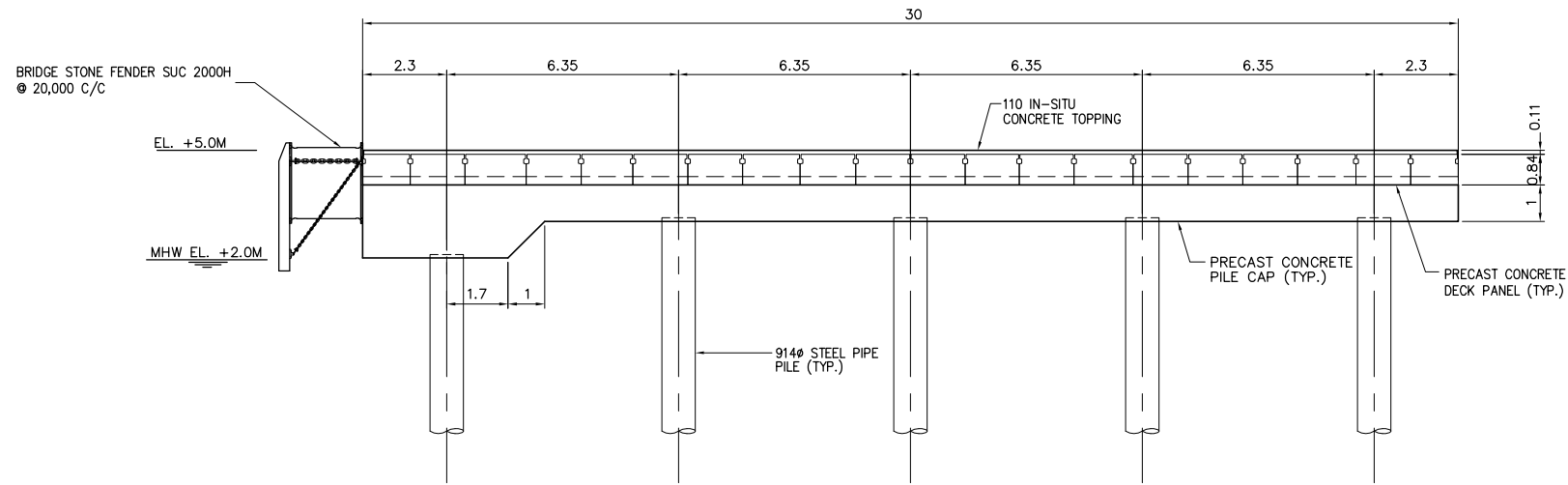
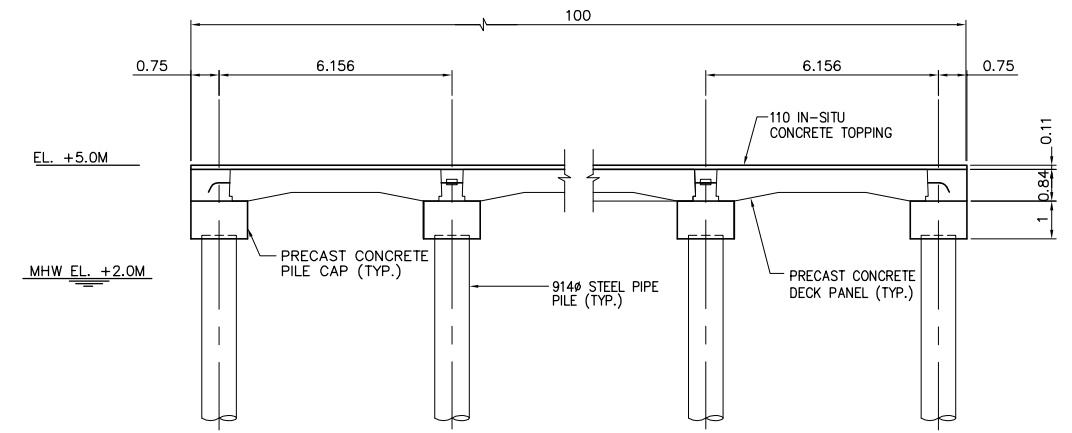


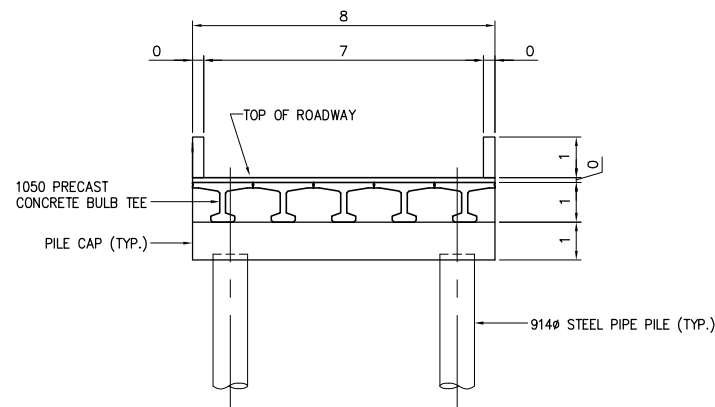
NOT FOR CONSTRUCTION



A SECTION
C226C227 SCALE 1:100



B SECTION
C226C227 SCALE 1:100



C SECTION
C226C227 SCALE 1:100

NOTES:

1. ALL DIMENSIONS IN METERS UNLESS NOTED OTHERWISE
2. DO NOT SCALE, USE FIGURED DIMENSIONS ONLY
3. DRAWINGS FOR PLANNING PURPOSES ONLY, NOT FOR BID OR CONSTRUCTION
4. LAND LEVELS SHOWN RELATE TO ORDNANCE DATUM MALIN HEAD UNLESS OTHERWISE NOTED
5. BATHYMETRY LEVELS ARE TO CHART DATUM, FOLLOWING HYDROGRAPHIC CONVENTION OF BEING POSITIVE BELOW CHART DATUM. CHART DATUM IS 3.0M BELOW ORDNANCE DATUM MALIN HEAD (0M CHART DATUM = 3.0M MALIN HEAD DATUM)
6. FOR TIDAL ELEVATIONS SEE DRAWING NO. C211.



S:\LEISHAN Shannon LNG Study\Contract\6-Civil\C227-01.dwg 07/19/07 16:36 DayDU

NO.	DESCRIPTION	DATE	BY	NO.	DESCRIPTION	DATE	BY
1	DELETED IMPOUNDMENT BASIN & ADDED NOTES	6/22/07	SQ				



DESIGNED BY TDK
DRAWN BY JGH
CHECKED BY MBM
PROJECT ENGR MBM

SHANNON LNG
MARINE TERMINAL FACILITIES

MATERIALS JETTY-
CROSS SECTIONS

SCALE 1:100	REVISION 1
DATE 5/2/07	DRAWING NO. C227