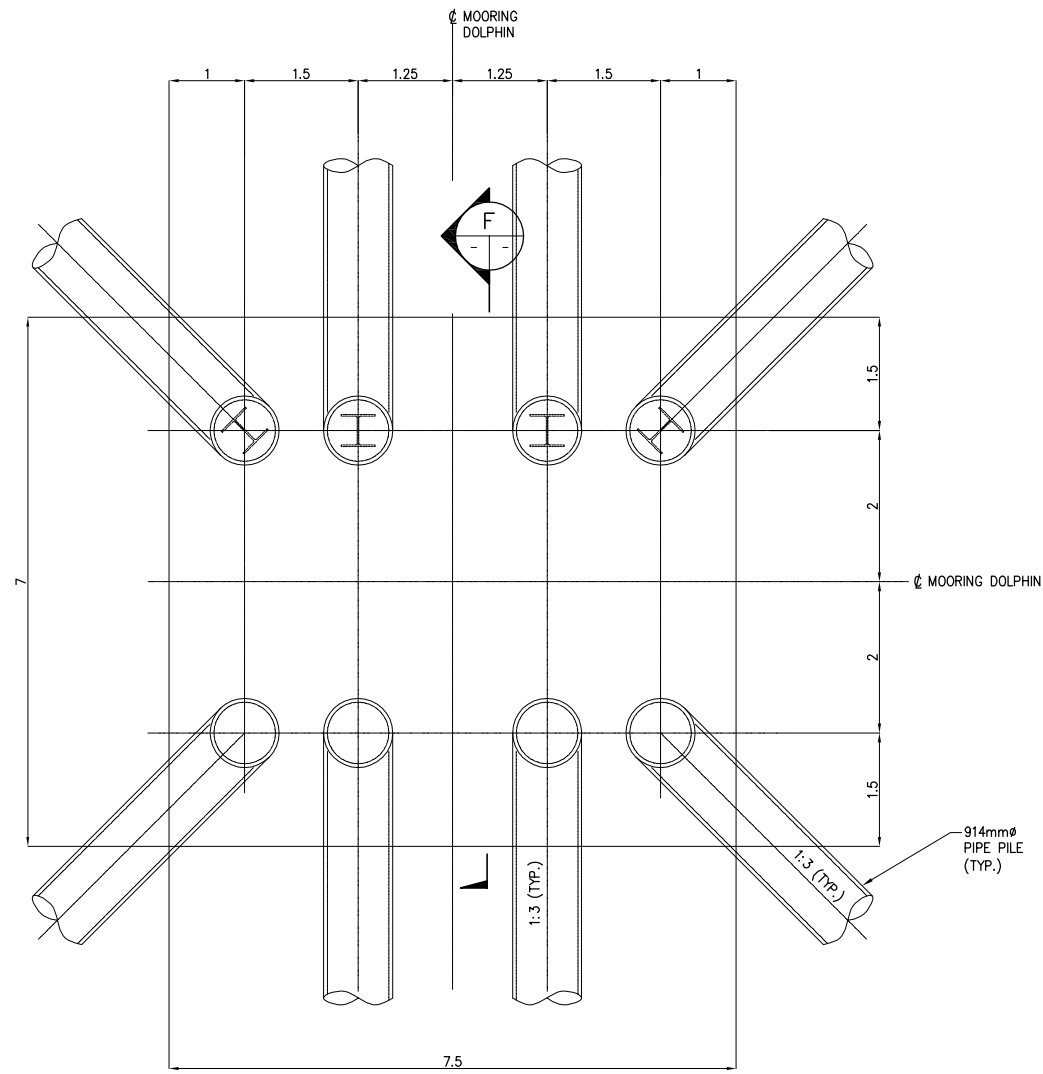
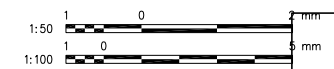
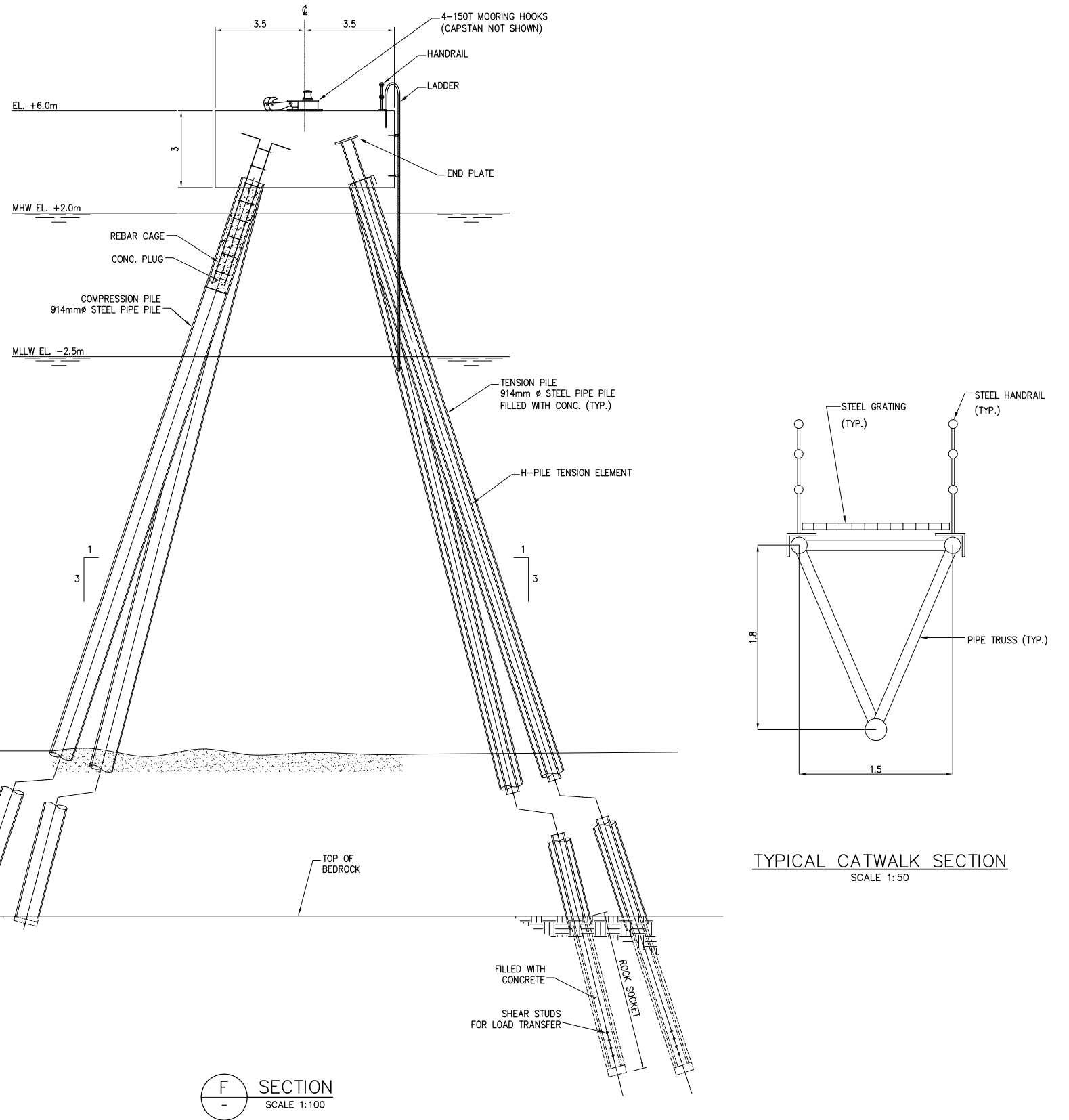


NOT FOR CONSTRUCTION



NOTES:

1. ALL DIMENSIONS IN METERS UNLESS NOTED OTHERWISE
2. DO NOT SCALE, USE FIGURED DIMENSIONS ONLY
3. DRAWINGS FOR PLANNING PURPOSES ONLY, NOT FOR BID OR CONSTRUCTION
4. LAND LEVELS SHOWN RELATE TO ORDNANCE DATUM MALIN HEAD UNLESS OTHERWISE NOTED
5. BATHYMETRY LEVELS ARE TO CHART DATUM, FOLLOWING HYDROGRAPHIC CONVENTION OF BEING POSITIVE BELOW CHART DATUM. CHART DATUM IS 3.0M BELOW ORDNANCE DATUM MALIN HEAD (OM CHART DATUM = 3.0M MALIN HEAD DATUM)
6. FOR TIDAL ELEVATIONS SEE DRAWING NO. C211.



S:\E\ES\SHAN LNG Study\Contract\6-Civil\C219-01.dwg 07/17/07 16:21 Pskier/KL

NO.	DESCRIPTION	DATE	BY	NO.	DESCRIPTION	DATE	BY
1	DELETED IMPOUNDMENT BASIN & ADDED NOTES	6/22/07	SQ				



DESIGNED BY TDK
DRAWN BY JGH
CHECKED BY MBM
PROJECT ENGR MBM

SHANNON LNG  
MARINE TERMINAL FACILITIES

IMPORT JETTY-MOORING DOLPHIN  
PLAN AND SECTIONS

SCALE AS NOTED	REVISION
DATE 4/20/07	1
DRAWING NO. C219	