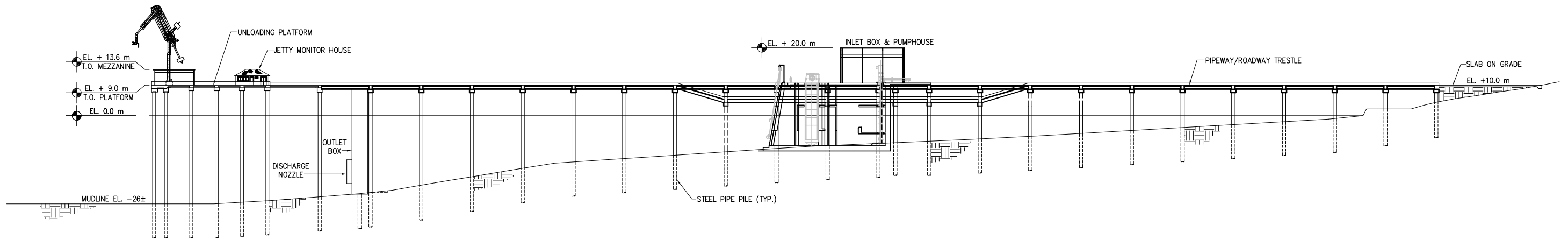
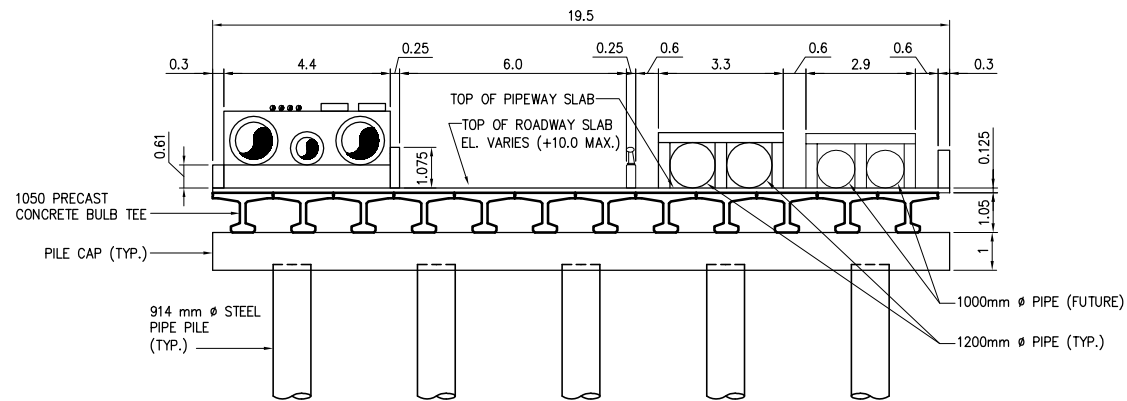


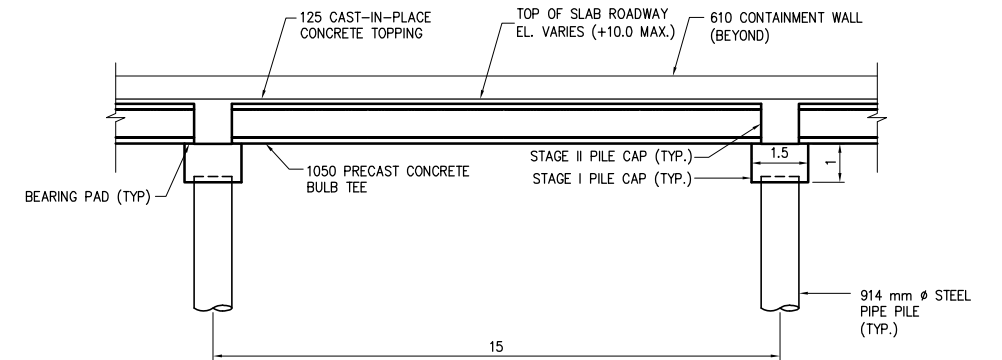
NOT FOR CONSTRUCTION



A SECTION
C211/C217
SCALE: 1:600



A SECTION
C215/C217
SCALE: 1:100



B SECTION
C215/C217
SCALE: 1:100



- NOTES:
1. ALL DIMENSIONS IN METERS UNLESS NOTED OTHERWISE
 2. DO NOT SCALE, USE FIGURED DIMENSIONS ONLY
 3. DRAWINGS FOR PLANNING PURPOSES ONLY, NOT FOR BID OR CONSTRUCTION
 4. LAND LEVELS SHOWN RELATE TO ORDINANCE DATUM MALIN HEAD UNLESS OTHERWISE NOTED
 5. BATHYMETRY LEVELS ARE TO CHART DATUM, FOLLOWING HYDROGRAPHIC CONVENTION OF BEING POSITIVE BELOW CHART DATUM. CHART DATUM IS 3.0M BELOW ORDINANCE DATUM MALIN HEAD (OM CHART DATUM = 3.0M MALIN HEAD DATUM)
 6. FOR TIDAL ELEVATIONS SEE DRAWING NO. C211.

S:\1\ESHAN Shannon LNG Study\Contract\6-dwg\C217-02.dwg 07/18/07 16:26 DayDu

NO.	DESCRIPTION	DATE	BY	NO.	DESCRIPTION	DATE	BY
1	MODIFIED PUMP HOUSE, INLET & OUTLET STRUCTURES	5/15/07	SQ				
2	DELETED IMPOUNDMENT BASIN & ADDED NOTES	6/22/07	SQ				
3	PUMPHOUSE BUILDING REVISED	7/18/07	SQ				



DESIGNED BY TDK
DRAWN BY JGH
CHECKED BY MBM
PROJECT ENGR MBM

SHANNON LNG
MARINE TERMINAL FACILITIES

SCALE AS NOTED	REVISION 3
DATE 05/14/07	

IMPORT JETTY-CROSS SECTIONS
AT PIPEWAY/ROADWAY TRESTLE

DRAWING NO.
C217